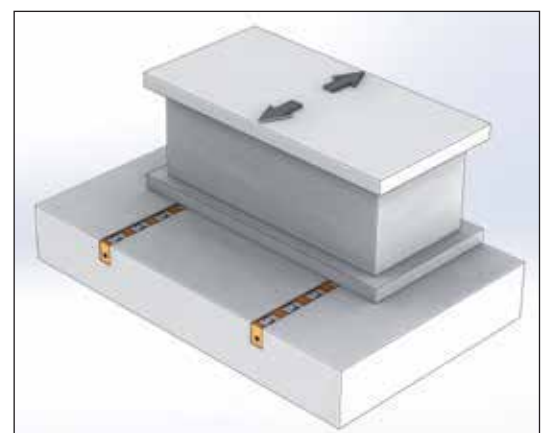


| | |
|--|---------------------------|
| Außenmaße Outline Dimensions | <p>□18 Serie / Series</p> |
| Plattenbearbeitungsmaß (U-Nut) Processing Size for Plate (U-slot) | |

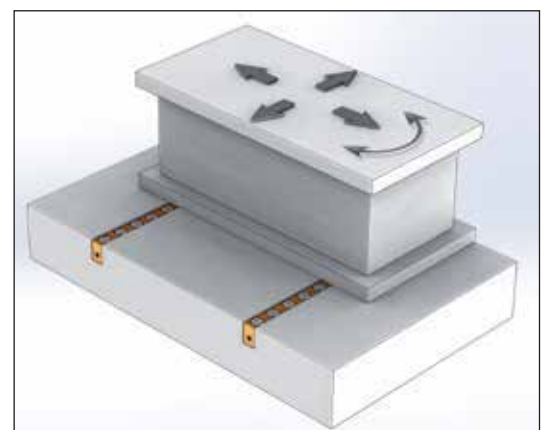


Model DL Bewegungsrichtung
Model DL Movement Direction

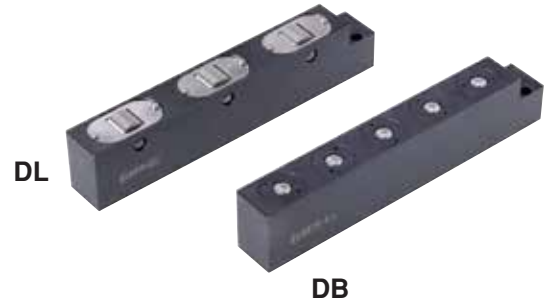
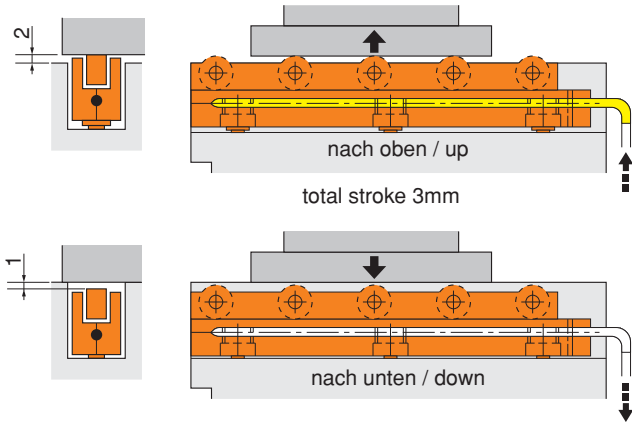
| Referenz-Nr. Order No. | L | □18 | | | | Hydr. Zylinder Hyd. cylinder | |
|---------------------------|------|------------------------|-----------------------------|-----------------------|-----------------------------|---------------------------------|-----------------------------|
| | | DL18 | | DB18 | | Menge Quantity | Kapazität Capacity kg |
| | | Ring Roller (DL) | Kapazität Capacity kg | Kugel Ball (DB) | Kapazität Capacity kg | | |
| 1020-0200 | 200 | 3 | 300 | 5 | 250 | 2 | 560 |
| 1020-0300 | 300 | 5 | 500 | 7 | 350 | | |
| 1020-0400 | 400 | 6 | 560 | 10 | 500 | | |
| 1020-0500 | 500 | 8 | 800 | 12 | 600 | 3 | 840 |
| 1020-0600 | 600 | 9 | 840 | 15 | 750 | | |
| 1020-0700 | 700 | 11 | 840 | 17 | 840 | | |
| 1020-0800 | 800 | 12 | 1120 | 20 | 1000 | 4 | 1120 |
| 1020-0900 | 900 | 14 | 1120 | 22 | 1100 | | |
| 1020-1000 | 1000 | 15 | 1250 | 25 | 1250 | | |

1020

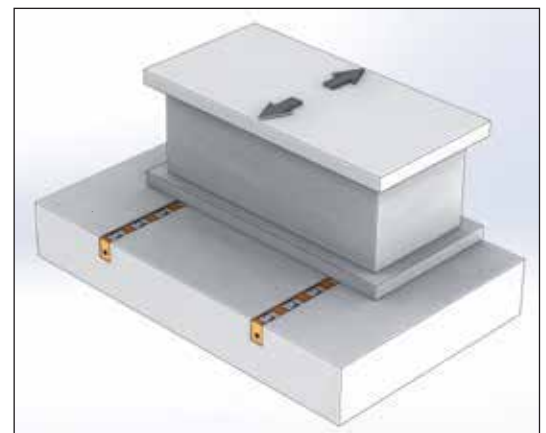
1020



Model DB Bewegungsrichtung
Model DB Movement Direction



| | |
|--|-----------------------------|
| <p>Außenmaße Outline Dimensions</p> | <p>D□22 Serisi / Serial</p> |
| <p>Plattenbearbeitungsmaß (U-Nut) Processing Size for Plate (U-slot)</p> | |

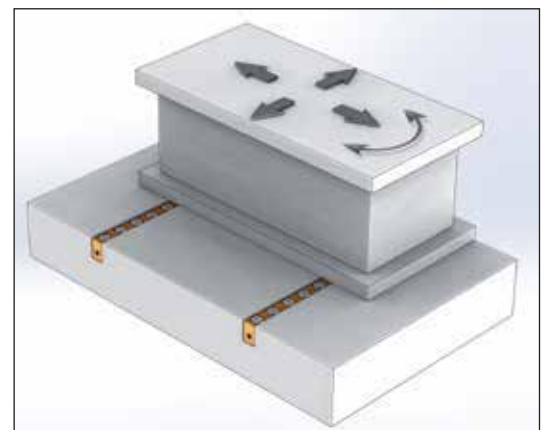


Model DL Bewegungsrichtung
Model DL Movement Direction

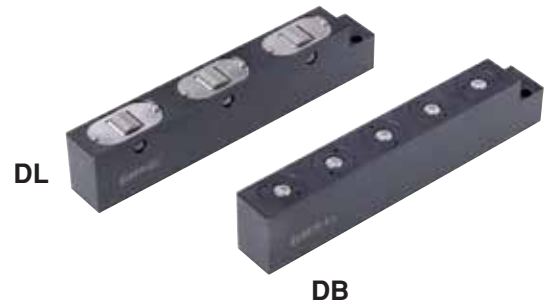
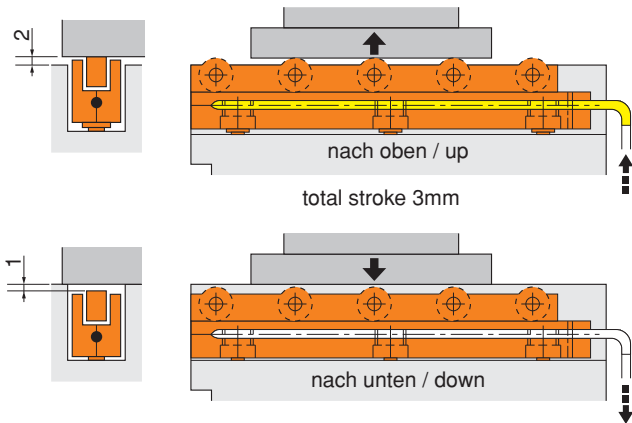
| Referenz-Nr. Order No. | L | D□22 | | | | Hid. Silindir Hyd. cylinder | |
|---------------------------|------|------------------------|-----------------------------|-----------------------|-----------------------------|--------------------------------|-----------------------------|
| | | DL22 | | DB22 | | Menge Quantity | Kapazität Capacity kg |
| | | Ring Roller (DL) | Kapazität Capacity kg | Kugel Ball (DB) | Kapazität Capacity kg | | |
| 1020-0200 | 200 | 3 | 480 | 5 | 370 | 2 | 1000 |
| 1020-0300 | 300 | 5 | 800 | 7 | 518 | | |
| 1020-0400 | 400 | 6 | 960 | 10 | 740 | | |
| 1020-0500 | 500 | 8 | 1280 | 12 | 888 | 3 | 1500 |
| 1020-0600 | 600 | 9 | 1400 | 15 | 1110 | | |
| 1020-0700 | 700 | 11 | 1500 | 17 | 1250 | | |
| 1020-0800 | 800 | 12 | 1920 | 20 | 1480 | 4 | 2000 |
| 1020-0900 | 900 | 14 | 2000 | 22 | 1628 | | |
| 1020-1000 | 1000 | 15 | 2000 | 25 | 1850 | | |

1020

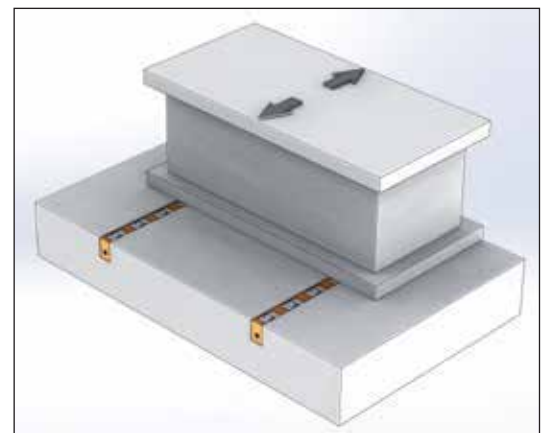
1020



Model DB Bewegungsrichtung
Model DB Movement Direction

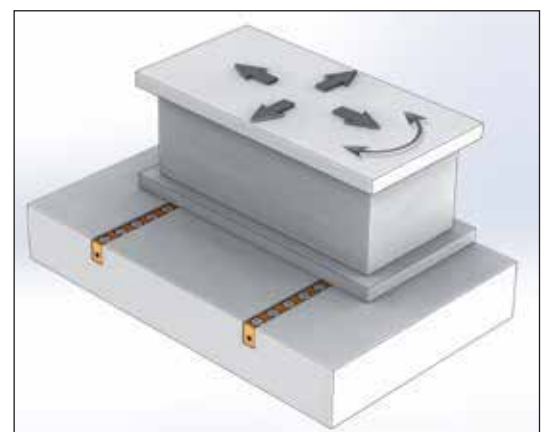


| | |
|--|----------------------------|
| Außenmaße Outline Dimensions | <p>D□28 Serie / Series</p> |
| Plattenbearbeitungsmaß (U-Nut) Processing Size for Plate (U-slot) | |

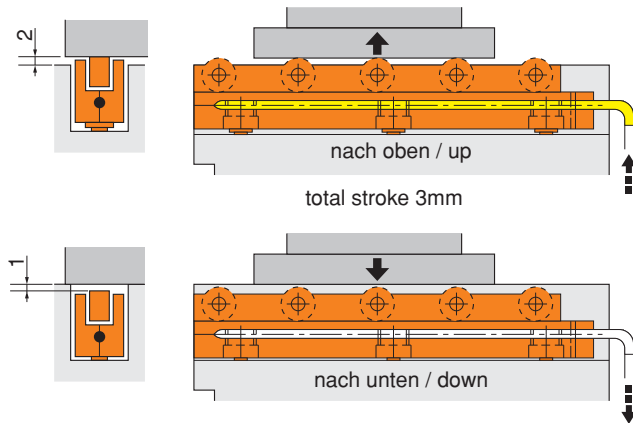
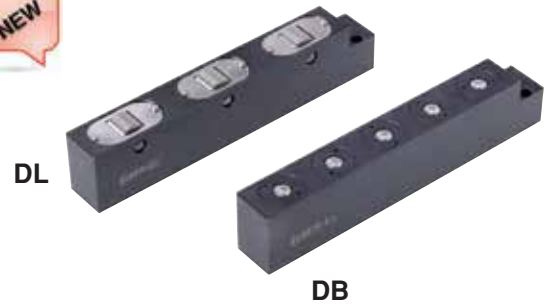


Model DL Bewegungsrichtung
Model DL Movement Direction

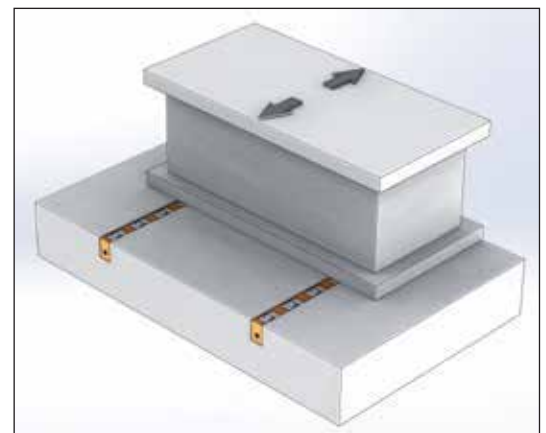
| Referenz-Nr. Order No. | L | D□28 | | | | Hydr. Zylinder Hyd. cylinder | |
|---------------------------|------|------------------------|-----------------------------|-----------------------|-----------------------------|---------------------------------|-----------------------------|
| | | DL28 | | DB28 | | Menge Quantity | Kapazität Capacity kg |
| | | Ring Roller (DL) | Kapazität Capacity kg | Kugel Ball (DB) | Kapazität Capacity kg | | |
| 1020-0200 | 200 | 3 | 750 | 5 | 475 | 2 | 1260 |
| 1020-0300 | 300 | 5 | 1250 | 7 | 665 | | |
| 1020-0400 | 400 | 6 | 1260 | 10 | 950 | | |
| 1020-0500 | 500 | 8 | 1890 | 12 | 1140 | 3 | 1890 |
| 1020-0600 | 600 | 9 | 1890 | 15 | 1425 | | |
| 1020-0700 | 700 | 11 | 1890 | 17 | 1615 | | |
| 1020-0800 | 800 | 12 | 2520 | 20 | 1900 | 4 | 2520 |
| 1020-0900 | 900 | 14 | 2520 | 22 | 2090 | | |
| 1020-1000 | 1000 | 15 | 3150 | 25 | 2375 | | |
| 1020-1100 | 1100 | 16 | 3150 | 27 | 2565 | 5 | 3150 |
| 1020-1200 | 1200 | 17 | 3150 | 30 | 2850 | | |
| 1020-1300 | 1300 | 18 | 3780 | 32 | 3040 | | |
| 1020-1400 | 1400 | 19 | 3780 | 35 | 3325 | 6 | 3780 |
| 1020-1500 | 1500 | 20 | 3780 | 37 | 3515 | | |
| 1020-1600 | 1600 | 22 | 4410 | 40 | 3800 | | |
| 1020-1700 | 1700 | 24 | 4410 | 42 | 3990 | 7 | 4410 |
| 1020-1800 | 1800 | 25 | 4410 | 45 | 4275 | | |
| 1020-1900 | 1900 | 27 | 5040 | 47 | 4465 | | |



Model DB Bewegungsrichtung
Model DB Movement Direction

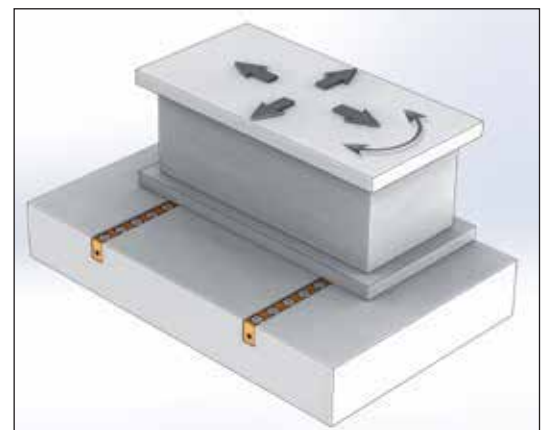


| | |
|--|---------------------|
| Außenmaße Outline Dimensions | D□36 Serie / Series |
| | |
| Plattenbearbeitungsmaß (U-Nut) Processing Size for Plate (U-slot) | |

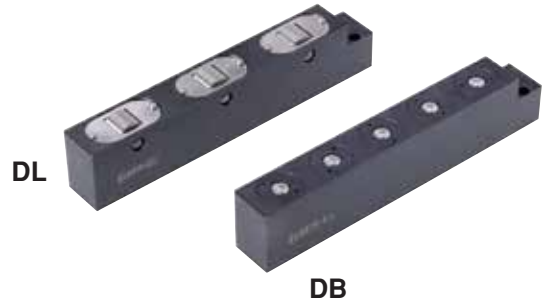
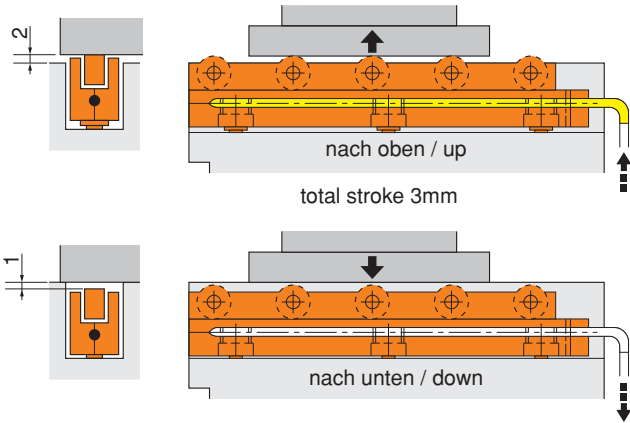


Model DL Bewegungsrichtung
Model DL Movement Direction

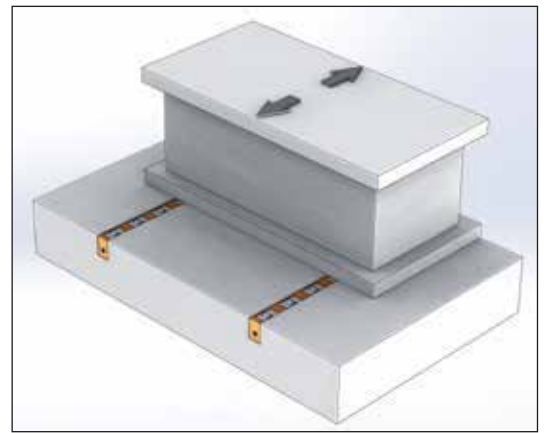
| Referenz-Nr. Order No. | L | D□36 | | | | Hydr. Zylinder Hyd. cylinder | |
|---------------------------|------|------------------------|-----------------------------|-----------------------|-----------------------------|---------------------------------|-----------------------------|
| | | DL36 | | DB36 | | Menge Quantity | Kapazität Capacity kg |
| | | Ring Roller (DL) | Kapazität Capacity kg | Kugel Ball (DB) | Kapazität Capacity kg | | |
| 1020-0200 | 200 | 3 | 1050 | 5 | 600 | 2 | 1700 |
| 1020-0300 | 300 | 5 | 1750 | 7 | 840 | | |
| 1020-0400 | 400 | 6 | 1700 | 10 | 1200 | 3 | 2600 |
| 1020-0500 | 500 | 8 | 2600 | 12 | 1440 | | |
| 1020-0600 | 600 | 9 | 2600 | 15 | 1800 | | |
| 1020-0700 | 700 | 11 | 2600 | 17 | 2040 | | |
| 1020-0800 | 800 | 12 | 2600 | 20 | 2400 | 4 | 3500 |
| 1020-0900 | 900 | 14 | 3500 | 22 | 2640 | | |
| 1020-1000 | 1000 | 15 | 3500 | 25 | 3000 | | |
| 1020-1100 | 1100 | 16 | 3500 | 27 | 3240 | 5 | 4400 |
| 1020-1200 | 1200 | 17 | 4400 | 30 | 3600 | | |
| 1020-1300 | 1300 | 18 | 4400 | 32 | 3840 | | |
| 1020-1400 | 1400 | 19 | 4400 | 35 | 4200 | | |
| 1020-1500 | 1500 | 20 | 4400 | 37 | 4400 | | |
| 1020-1600 | 1600 | 22 | 5300 | 40 | 4800 | 6 | 5300 |
| 1020-1700 | 1700 | 24 | 5300 | 42 | 5040 | | |
| 1020-1800 | 1800 | 25 | 5300 | 45 | 5300 | | |
| 1020-1900 | 1900 | 27 | 5300 | 47 | 5300 | | |



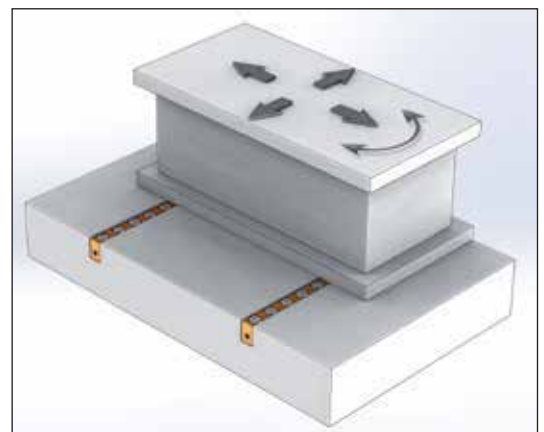
Model DB Bewegungsrichtung
Model DB Movement Direction



| | D□50 Serie / Series | D□50 Serie / Series |
|--|---------------------|---------------------|
| Außenmaße Outline Dimensions | | |
| Plattenbearbeitungsmaß (U-Nut) Processing Size for Plate (U-slot) | | |



Model DL Bewegungsrichtung
Model DL Movement Direction

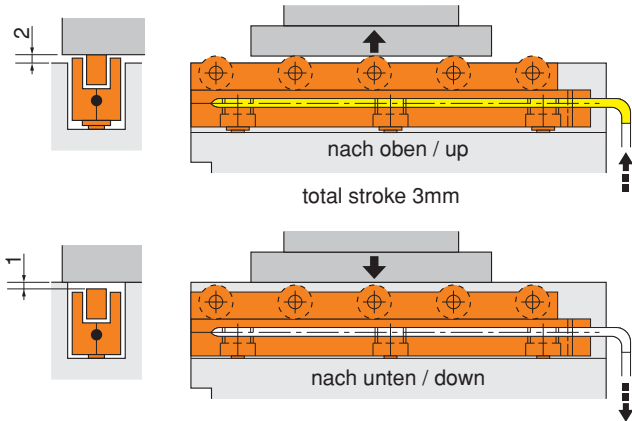


Model DB Bewegungsrichtung
Model DB Movement Direction

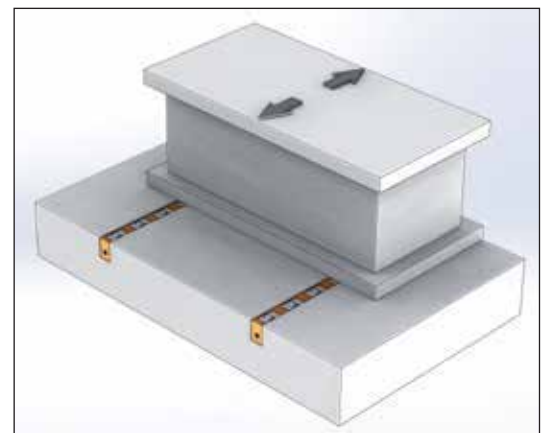
| Referenz-Nr. Order No. | L | D□50 | | | | Hid. Silindir Hyd. cylinder | |
|---------------------------|------|------------------------|-----------------------------|-----------------------|-----------------------------|--------------------------------|-----------------------------|
| | | DL50 | | DB50 | | Menge Quantity | Kapazität Capacity kg |
| | | Ring Roller (DL) | Kapazität Capacity kg | Kugel Ball (DB) | Kapazität Capacity kg | | |
| 1020-0200 | 200 | 2 | 1000 | 4 | 640 | 2 | 2200 |
| 1020-0300 | 300 | 3 | 1500 | 6 | 960 | | |
| 1020-0400 | 400 | 4 | 2000 | 9 | 1440 | | |
| 1020-0500 | 500 | 5 | 2500 | 11 | 1760 | 3 | 3300 |
| 1020-0600 | 600 | 6 | 3000 | 13 | 2080 | | |
| 1020-0700 | 700 | 7 | 3300 | 16 | 2560 | | |
| 1020-0800 | 800 | 8 | 3300 | 18 | 2880 | 4 | 4400 |
| 1020-0900 | 900 | 9 | 4400 | 20 | 3200 | | |
| 1020-1000 | 1000 | 10 | 4400 | 23 | 3680 | | |
| 1020-1100 | 1100 | 11 | 4400 | 25 | 4000 | 5 | 5500 |
| 1020-1200 | 1200 | 12 | 5500 | 27 | 4320 | | |
| 1020-1300 | 1300 | 13 | 5500 | 29 | 4640 | | |
| 1020-1400 | 1400 | 14 | 5500 | 31 | 4960 | 6 | 6600 |
| 1020-1500 | 1500 | 15 | 5500 | 33 | 5280 | | |
| 1020-1600 | 1600 | 16 | 6500 | 35 | 5600 | | |
| 1020-1700 | 1700 | 17 | 6500 | 38 | 6080 | 7 | 7700 |
| 1020-1800 | 1800 | 18 | 6500 | 40 | 6400 | | |
| 1020-1900 | 1900 | 19 | 6500 | 42 | 6720 | | |
| 1020-2000 | 2000 | 20 | 7700 | 44 | 7040 | 8 | 8800 |
| 1020-2100 | 2100 | 21 | 7700 | 46 | 7360 | | |
| 1020-2200 | 2200 | 22 | 7700 | 48 | 7680 | | |
| 1020-2300 | 2300 | 23 | 7700 | 50 | 7700 | 8 | 8800 |
| 1020-2400 | 2400 | 24 | 8800 | 52 | 8320 | | |
| 1020-2500 | 2500 | 25 | 8800 | 54 | 8640 | | |

1020

1020



| | |
|--|----------------------------|
| Außenmaße Outline Dimensions | <p>D□80 Serie / Series</p> |
| Plattenbearbeitungsmaß (U-Nut) Processing Size for Plate (U-slot) | |



Model DL Bewegungsrichtung
Model DL Movement Direction

| Referenz-Nr. Order No. | L | D□80 | | | |
|---------------------------|------|------------------------|-----------------------------|--------------------------------|-----------------------------|
| | | DL80 | | Hid. Silindir Hyd. cylinder | |
| | | Ring Roller (DL) | Kapazität Capacity kg | Menge Quantity | Kapazität Capacity kg |
| 1020-0200 | 200 | - | - | - | - |
| 1020-0300 | 300 | - | - | - | - |
| 1020-0400 | 400 | - | - | - | - |
| 1020-0500 | 500 | 5 | 3250 | 2 | 5600 |
| 1020-0600 | 600 | 6 | 3900 | | |
| 1020-0700 | 700 | 7 | 4550 | 3 | 8400 |
| 1020-0800 | 800 | 8 | 5200 | | |
| 1020-0900 | 900 | 9 | 5850 | | |
| 1020-1000 | 1000 | 10 | 6500 | 4 | 11200 |
| 1020-1100 | 1100 | 11 | 7150 | | |
| 1020-1200 | 1200 | 12 | 7800 | | |
| 1020-1300 | 1300 | 13 | 8450 | | |
| 1020-1400 | 1400 | 14 | 9100 | 5 | 14000 |
| 1020-1500 | 1500 | 15 | 9750 | | |
| 1020-1600 | 1600 | 16 | 10400 | 6 | 16800 |
| 1020-1700 | 1700 | 17 | 11050 | | |
| 1020-1800 | 1800 | 18 | 11700 | | |
| 1020-1900 | 1900 | 19 | 12350 | 7 | 19600 |
| 1020-2000 | 2000 | 20 | 13000 | | |
| 1020-2100 | 2100 | 21 | 13650 | | |
| 1020-2200 | 2200 | 22 | 14300 | | |
| 1020-2300 | 2300 | 23 | 14950 | 8 | 22400 |
| 1020-2400 | 2400 | 24 | 15600 | | |
| 1020-2500 | 2500 | 25 | 16250 | | |

1020

1020